

producing quality



microscope

OP-Dent-5



OP-Dent-5



ERGONOMICS AND VERSATILITY

The OP-Dent-5 microscope manufactured by OPTOMIC fulfils the most demanding requirements in the dental field.

The OP-Dent-5 microscope offers one of the widest ranges of lighting systems and beam splitters, as well as image and video capture and treatment devices in the market.

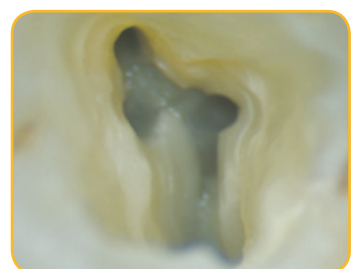
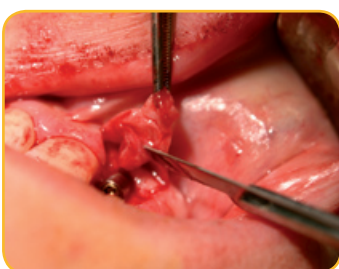
Its excellent optical and mechanical features, together with its great mobility and versatility, make the OP-Dent-5 microscope the ideal equipment for any treatment.

The sturdiness and stability of the OP-Dent-5 microscope, as well as the freedom of movement, enable the head to be placed in any desired position to allow the specialist to adopt an ergonomic posture.

COMPACT AND VERSATILE

Its arm can be folded to minimum dimensions, thus resulting very practical in the specialist's office as it occupies very little space.

VERSATILITY FOR ALL DENTISTRY TECHNIQUES



The OP-Dent-5 microscope is designed and built using the most modern and precise manufacturing systems.

Soft Move is our exclusive movement and braking system, which provides OPTOMIC equipment with a play-free turning mechanism and an excellent mobility, smooth and precise. Soft Move is supported by the great sturdiness and stability of the highly resistant conical cylinder bearings and a unique braking

system. The large central knob of this braking system acts by freeing or braking the turning movements with absolute precision, enabling even a total blockage.

The Soft Move system provides the specialist with extremely smooth and accurate movements, permitting the doctor to adopt a comfortable and ergonomic position during examination and surgery. The head, with its

swinging and directional movement, has a brake in each position, as well as a micrometric focusing knob. The magnifications changer is mounted on angular contact bearings, providing free lubrication maintenance, inexistence of play and an absolute accuracy in the rotation and vision of the equipment. This system is exclusive of OPTOMIC equipment.

supports

SUPPORTS

Rolling Floor Stand

The floor stand is of such reduced dimensions that the microscope can be positioned close to the dental equipment without interfering with the rest of the apparatus. This very stable rolling floor stand has 5 double rubber wheels with independent brakes. These features give our equipment a great mobility as well as perfect balance and safety.

Fixed Floor Mount

This floor mount confers the microscope with a great stability. Its base has a diameter of only 360mm and is directly fixed to the floor, making it possible to position it very close to the operative unit.

Wall Mount

With the long arm of this space-saving design, the specialist is able to work at a considerable distance from the wall. When not in use, it can be folded against the wall. Using an optional extension, a maximum 2.10 m radius can be achieved, thus guaranteeing the desired reach.

Ceiling Mount

This type of mount provides comfort and agility in the specialist's office and surgery rooms.



INTELLIGENT COMPATIBILITY AND INNOVATION

Beam Splitters

OPTOMIC offers a complete range of beam splitters to meet the needs of every specialist.

OP-TV6

It includes a compact CCD camera with an independent focusing system.



OP-TV8

Compact system for video-microscopy, with integrated high resolution CCD camera. It incorporates white balance control and power switch on the beam splitter.



OP-TV DC + DIGITAL CAMERA

With an exclusive system to adapt it to digital photographic cameras.



OP-TV CLICK

It adapts to any endoscopy CCD camera to obtain microscopic images with digital output of outstanding resolution.



lighting LIGHTING

The OP-Dent-5 microscope has three different illumination options, to adapt to any needs. All light sources have a connector for fiber optic cable for endoscopes, becoming a multidisciplinary device. They all have amber filter to avoid the curing of the dental polymers.

FIBROLUX 150

Double easy-to-change 150w halogen lamp. Lamp protection system to lengthen its life.



FIBROLUX LED HP

The latest technology in LED illumination. High lighting efficiency. It has an additional filter for a warmer light, as well as a remote switch and power outputs for accessories such as monitor, camera or laptop.



FIBROLUX X100

Bright illumination and outstanding colour reproduction provided by the 100w Xenon lamp. Lamp protection system.





Binoculars

The OP-Dent-5 offers two options:

- 0° to 240° inclinable binocular: Its wide turning range allows for the ideal positioning of the microscope as well as the most ergonomic posture of the specialist.
- 45° binocular: Compact binocular with a fixed angle that allows the doctor to carry out the treatment in a direct and indirect manner.



Objectives

- Standard 250mm.
- Optional 200mm, 300mm and 400mm.

Thanks to its large diameter lenses, it favors the coaxial illumination of the observation axis, offering a homogeneous and bright illumination field, as well as a better light transmission and an optimum lighting of the area explored. The $f=400$ mm objective enables it to be used as illumination and documentation system for external or extraoral fields.



Eyepieces

Standard: 10x widefield eyepieces.

Optional: 12,5x and 16x widefield eyepieces.

Large diameter lenses.

The optical coating offers a high resolution, contrast and definition, providing bright and chromatically real images, and an extraordinary viewing quality.



Effective Magnifications

5-step Galilei changer, permitting magnification from 2x up to 34x, depending on the chosen combination of objective, binocular and eyepieces.

OPTOMIC designs and manufactures all of its optical components with the highest quality and precision standards, using the best glass types and coatings, resulting in equipment of great reliability and excellent optical quality.

digital microscopy

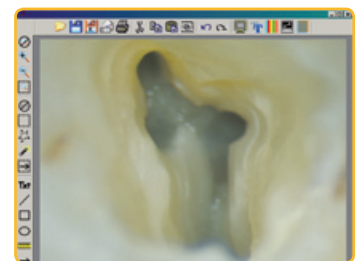
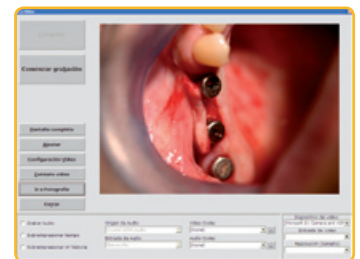
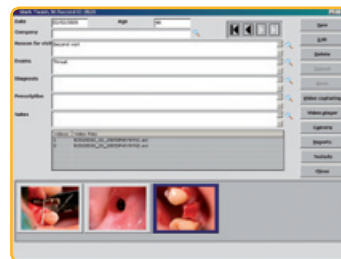
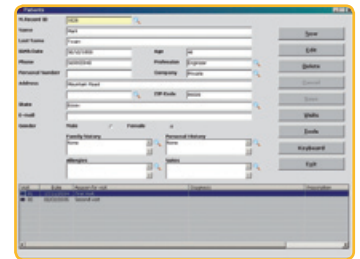
DIGITAL MICROSCOPY

Digitally Soft

Digital microscopy integrates the features of the OP-Dent microscope and the advantages of the digital image, video and data capturing system, Digitally Soft.



Our Digitally Soft image processing software makes it possible to obtain reports, export images and videos and compare the pre- and post-treatment conditions. It also admits statistical studies, area calculations, compares measurements and has other functions which permit the patient's data to be processed in a simple and agile manner.



Digitally Soft

Digitally Soft

dental microscopy-endoscopy

DENTAL MICROSCOPY-ENDOSCOPY

Two in one

In the OPTOMIC digital video-microscope we find the integration of the techniques of dental microscopy and endoscopy thanks to the compatibility of the lighting and image systems.

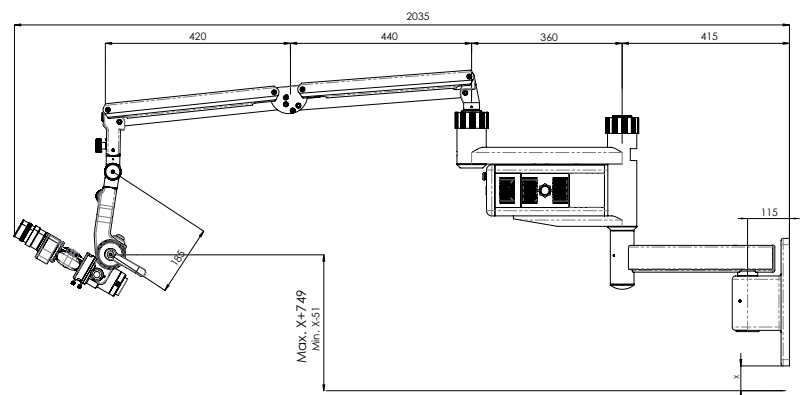
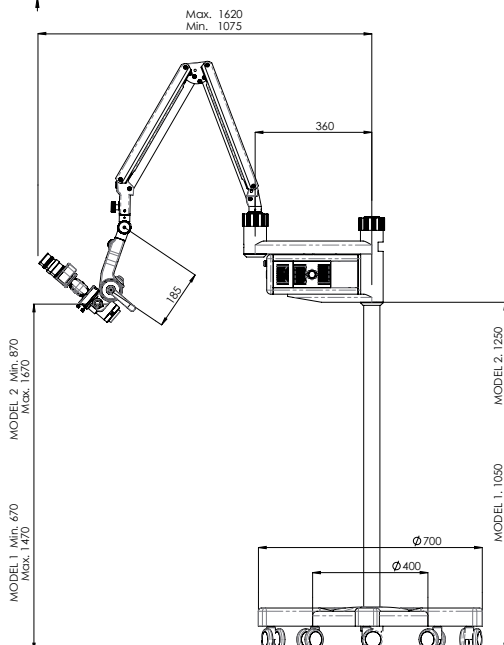
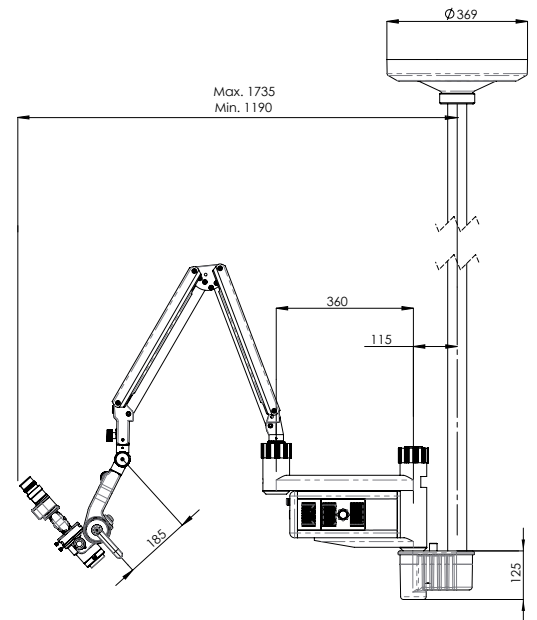
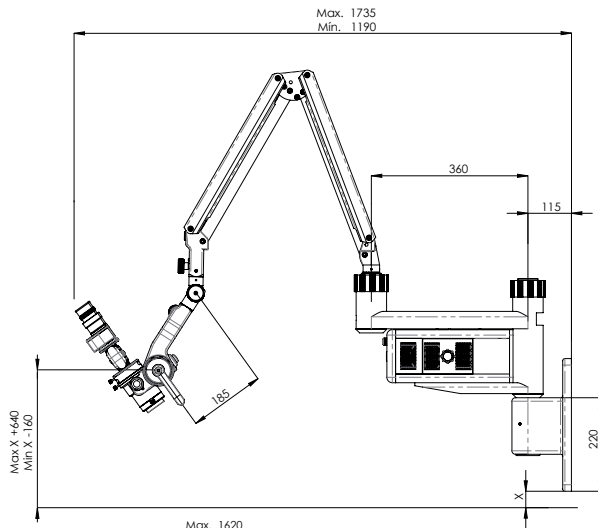
Simply connecting a fiber optic cable to the output of the microscope's light source and using the microscope's camera (CCD 1428/714) will result in a perfect dental endoscopic equipment, optimizing both space and resources.

Its uses range from surgical applications with dental endoscopes to diagnostic applications, using it as an intraoral camera.



dimensions

DIMENSIONS



technical features

TECHNICAL FEATURES

OP-DENT-5

| | |
|------------------------|--------------------------------------------------------------------------------------------------------------------------|
| HEAD | Stereoscopic head with micrometric focus |
| BINOCULAR | 0° to 240° inclinable binocular or 45° fixed angle binocular |
| ILLUMINATION SYSTEM | Halogen, LED or Xenon light source |
| LIGHT CONDUCTION | Fiber optic cable |
| EYEPIECES | 10x widefield eyepieces. 12.5x and 16x optional |
| MAGNIFICATIONS CHANGER | 5-steps Galilei |
| OBJECTIVE | 250mm standard objective. 200mm, 300mm and 400mm optional |
| HEAD AND ARM | With brakes and movements using angular contact bearings and high resistance conical cylinder bearings, Soft Move system |
| VOLTAGE | 100/240V 50/60Hz |
| MOUNTING OPTIONS | Floor, wall or ceiling mount |
| ACCESSORIES | Beam splitters and video systems Digitally Soft software Monitor support Laptop tray Camera tray |

OPTOMIC ESPAÑA S.A.

Madroño, 4. E-28770 Colmenar Viejo, Madrid, Spain
Tel: +34 902 22 11 77 / +34 91 803 57 14 • Fax: +34 902 22 11 78
export@optomic.com • www.optomic.com



Specifications are subject to change without notice

